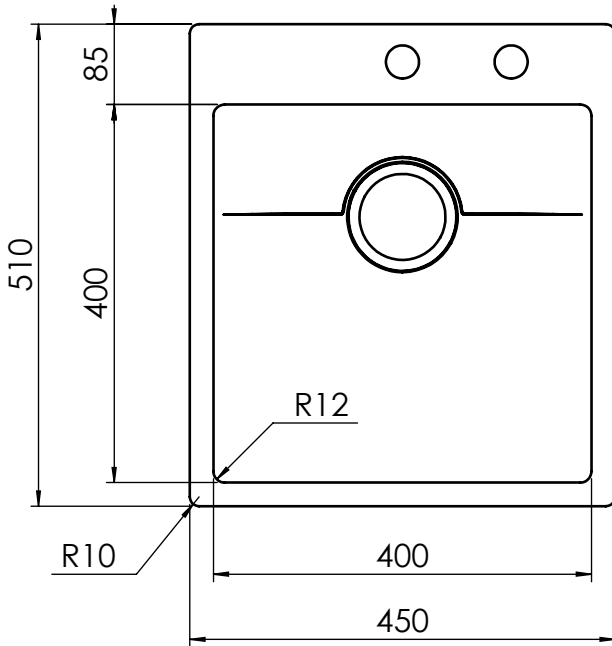


Mod: **ECLISSE MIX**

Cod: **053021.X2.01.2034**



Installazione filotop

foro incasso: 435x495 R10 mm

abbassamento filotop:

451x511x1,5 R11 mm

base 500 mm

Flush installation

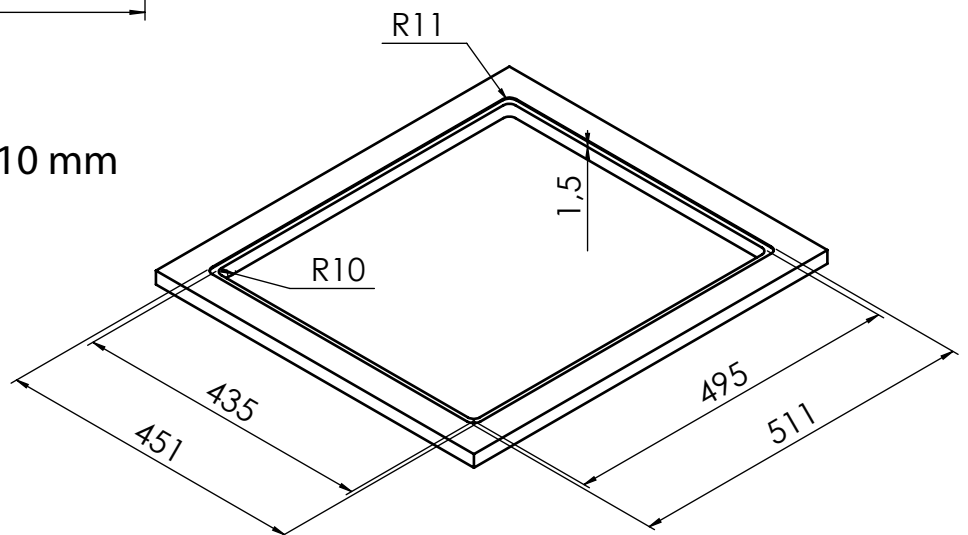
built-in fitting hole:

435x495 R10 mm

filotop lowering:

451x511x1,5 R11 mm

cabinet 500 mm



Installazione slim

foro incasso:

435x495 R10 mm

base 500 mm

Flat-mounted installation

built-in fitting hole:

435x495 R10 mm

cabinet 500 mm

